

Gimatic Nipper – Size 5

(Dimensioned drawings shown full scale)



These stationary and sliding Gimatic® nippers are ideal for mounting on end-of-arm toolings or automated machinery. Available in three sizes: 05, 10 & 20. The small dimensions create a low profile nipper.

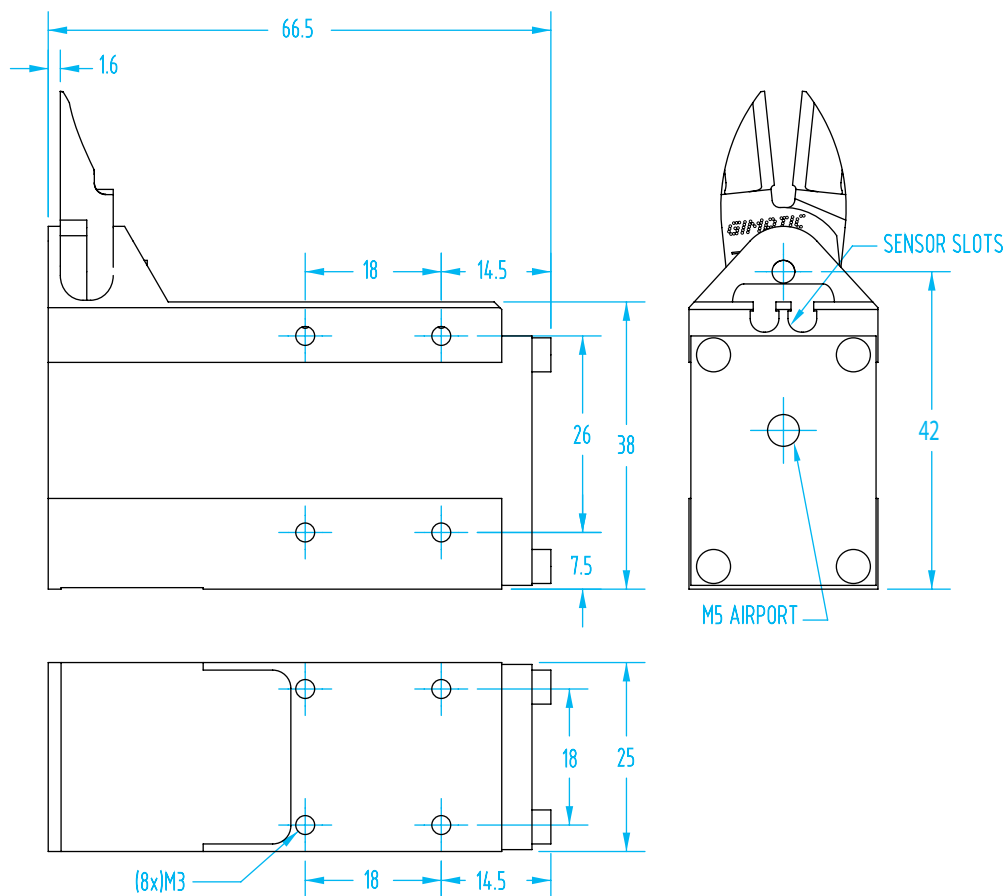
- Uses standard size 5 blades on pages 861–863.
- Blades can be reversed in nipper body
- Normally open and closed sliding models can also be used double acting.
- Sensor ready

GNS-05 Gimatic Nipper (Blades sold separately)

Type	Quick#	Part#	Price	Weight	Pressure Range	Slide Stroke	Cutting Cap. mm
Stationary	6961	GNS-05	\$226.00	112g	30–116 psi	3mm	Ø3mm
Sliding, Normally Closed	6962	GNS-05-NC	\$310.00	180g			
Sliding, Normally Open	6963	GNS-05-NO	\$310.00	175g			

Note: See page 918–919 for optional sensors and mounting brackets.

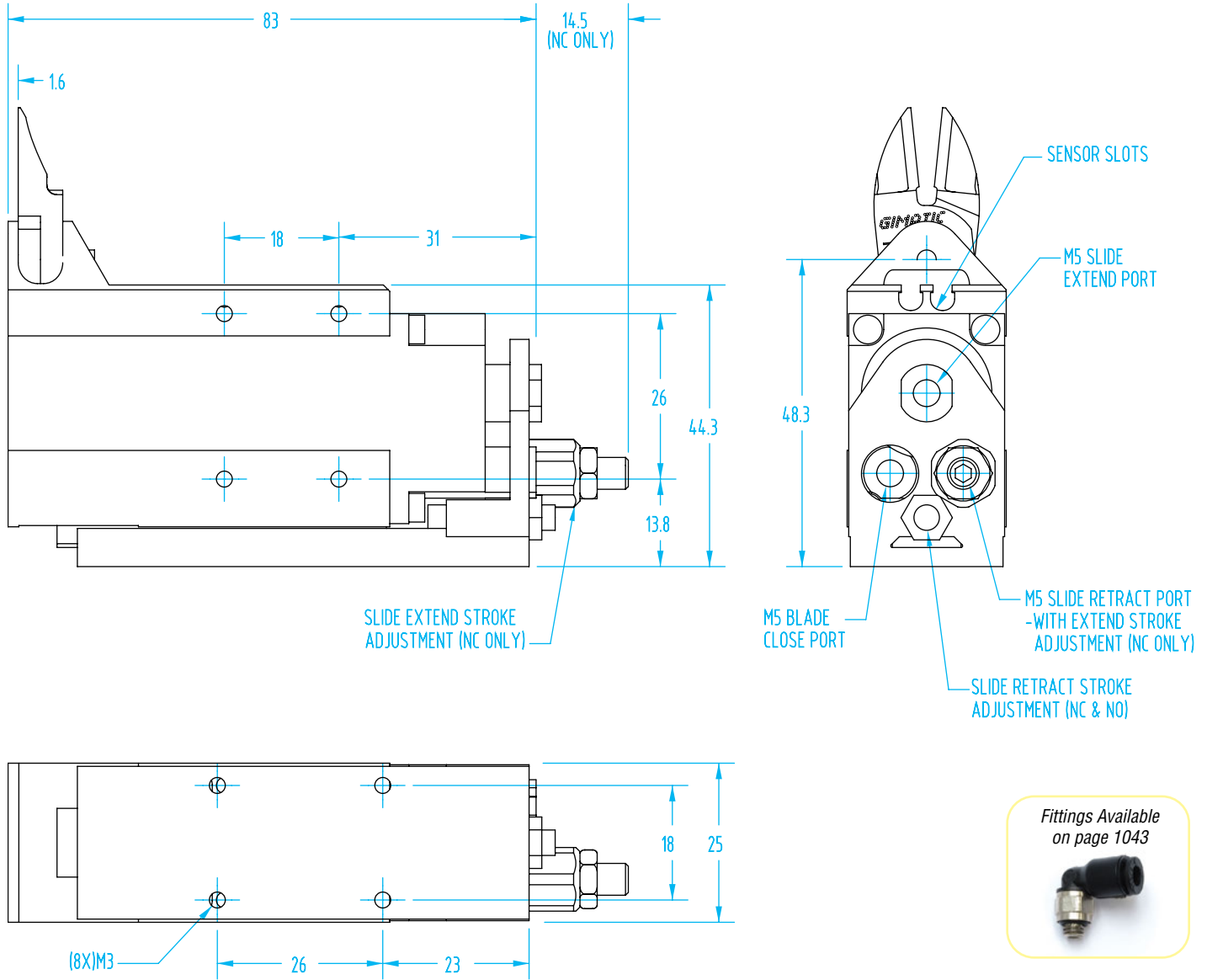
#6961 / GNS-05 - Stationary Nipper



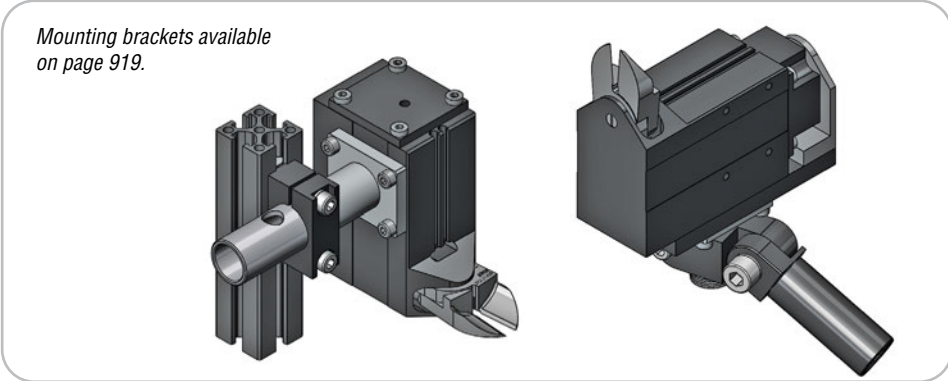
Gimatic Nipper – Size 5

(Dimensioned drawings shown full scale)

#6962 & 6963 / GNS-05-NC & GNS-05-NO - Sliding Nipper



Note: NC version is equipped with a bracket mounted into port "C" which allows extend stroke adjustment. The extend adjustment bracket make the "C" port unusable. (slide retracts under spring tension only)



Gimatic Nipper – Size 10

(Dimensioned drawings shown full scale)



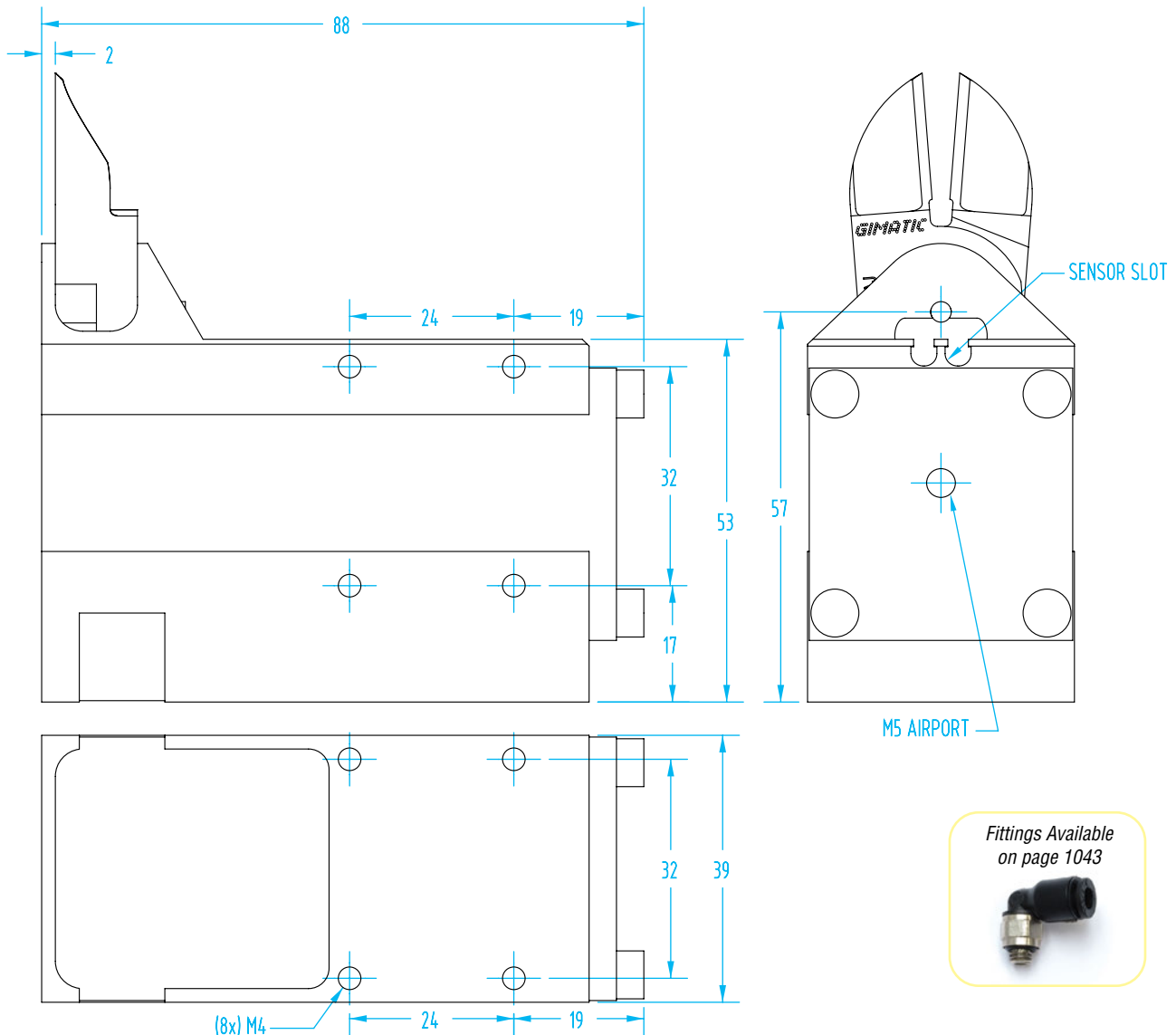
- Uses standard size 10 blades on pages 865–867. (see note on page 915)
- Blades can be reversed in nipper body.
- Normally open and closed sliding models can also be used double acting.
- Sensor ready

GNS-10 Gimatic Nipper (Blades sold separately)

Type	Quick#	Part#	Price	Weight	Pressure Range	Slide Stroke	Cutting Cap. mm
Stationary	6964	GNS-10	\$287.00	355g	30–116 psi	4mm	Ø4.5mm
Sliding, Normally Closed	6965	GNS-10-NC	\$412.00	570g			
Sliding, Normally Open	6966	GNS-10-NO	\$412.00	570g			

Note: See page 918–919 for optional sensors and mounting brackets

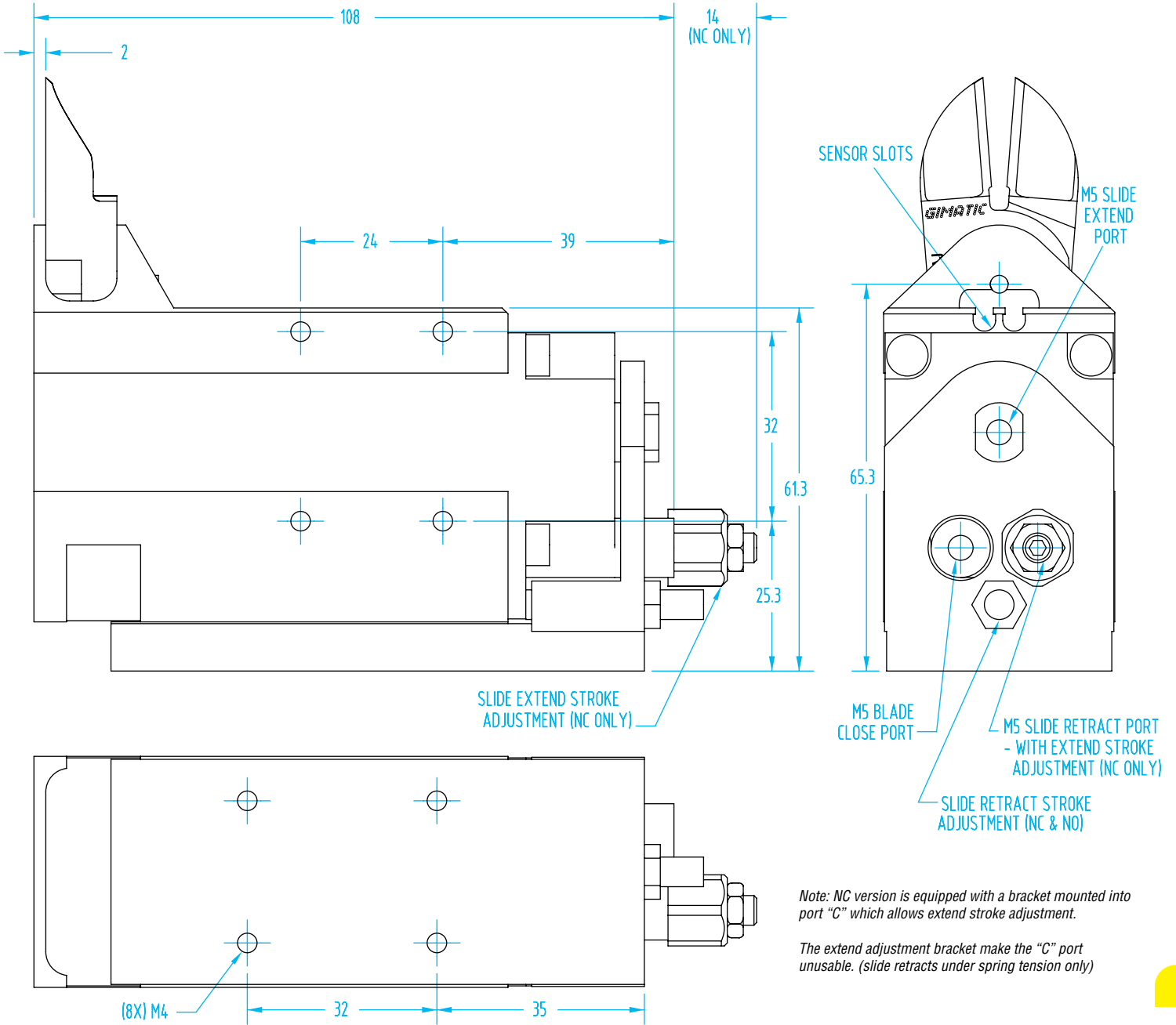
#6964 / GNS-10 - Stationary Nipper



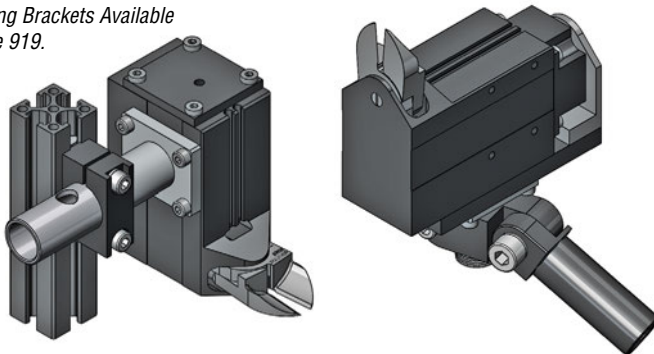
Gimatic Nipper – Size 10

(Dimensioned drawings shown full scale)

#6965 & 6966 / GNS-10-NC & GNS-10-NO - Sliding Nipper



Mounting Brackets Available on page 919.



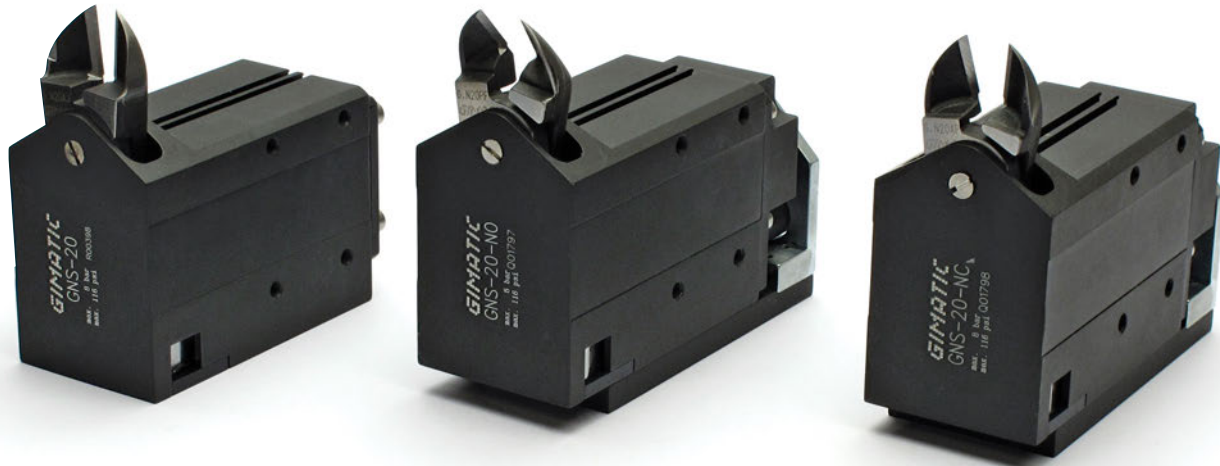
Order Size 10 Blades on pages 865-867.



Because of variations in the hand-finished dimensions of Swanstrom blades, we do not recommend the use of Swanstrom blades Q#1004, #1006, #1037, & #1038 with Size 10 GNS Nippers.

Gimatic Nipper – Size 20

(Dimensioned drawings shown half scale)



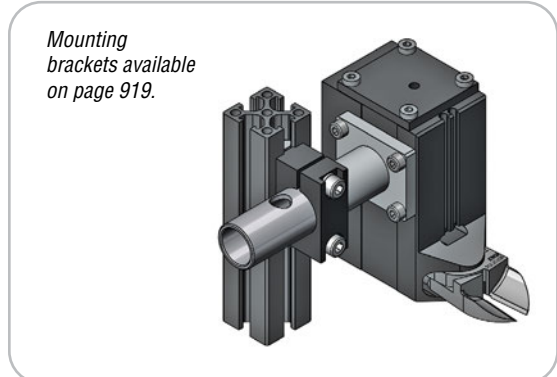
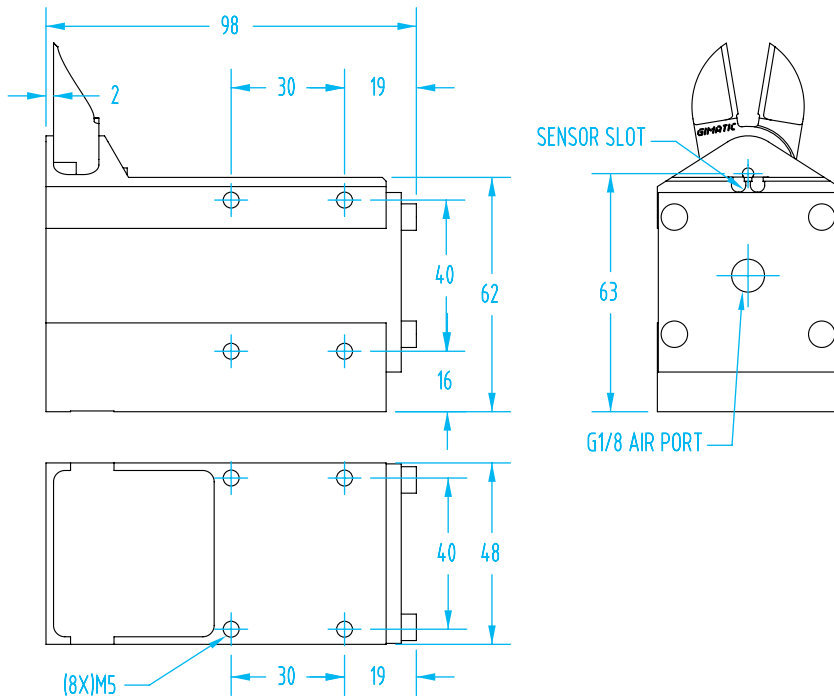
GNS-20 Gimatic Nipper (Blades sold separately)

Type	Quick#	Part#	Price	Weight	Pressure Range	Slide Stroke	Cutting Cap. mm
Stationary	6967	GNS-20	\$352.00	480g	30–116 psi	5mm	Ø6mm
Sliding, Normally Closed	6968	GNS-20-NC	\$493.00	780g			
Sliding, Normally Open	6969	GNS-20-NO	\$493.00	780g			

Note: See page 918–919 for optional sensors and mounting brackets.

- Uses standard size 20 blades on pages 871–878.
- Blades can be reversed in nipper body
- Normally open and closed sliding models can also be used double acting.
- Sensor ready

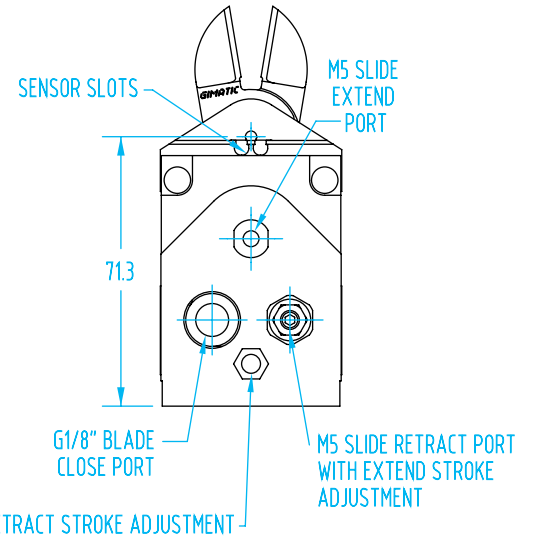
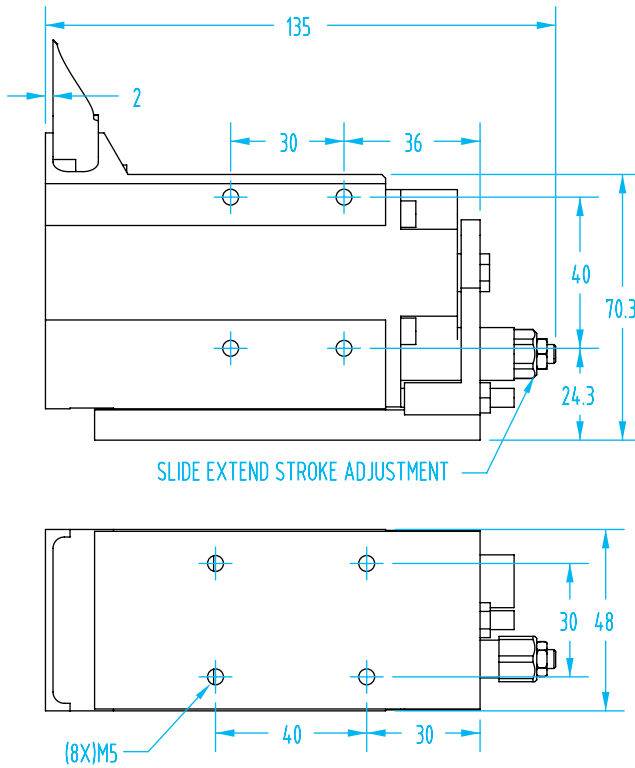
#6967 / GNS-20 - Stationary Nipper



Gimatic Nipper – Size 20

(Dimensioned drawings shown half scale)

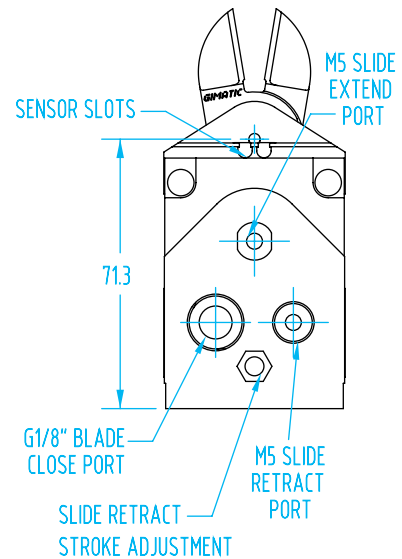
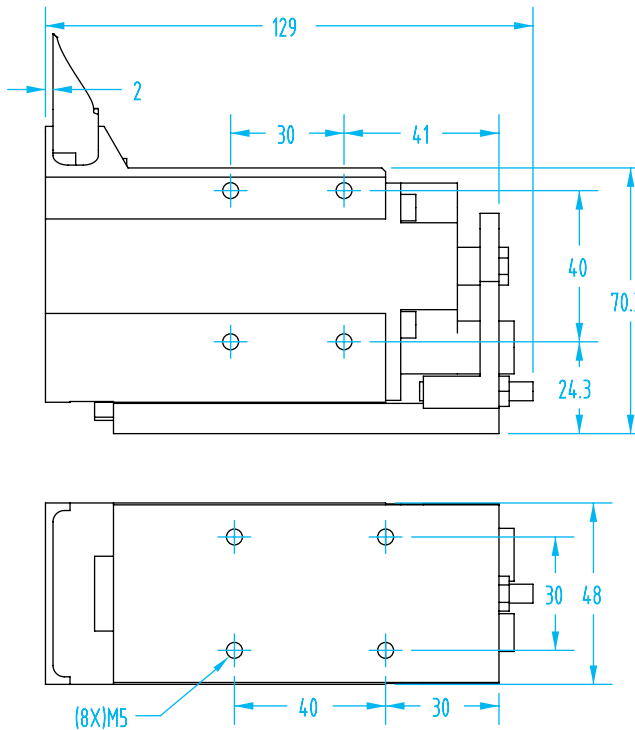
#6968 / GNS-20-NC - Sliding Nipper



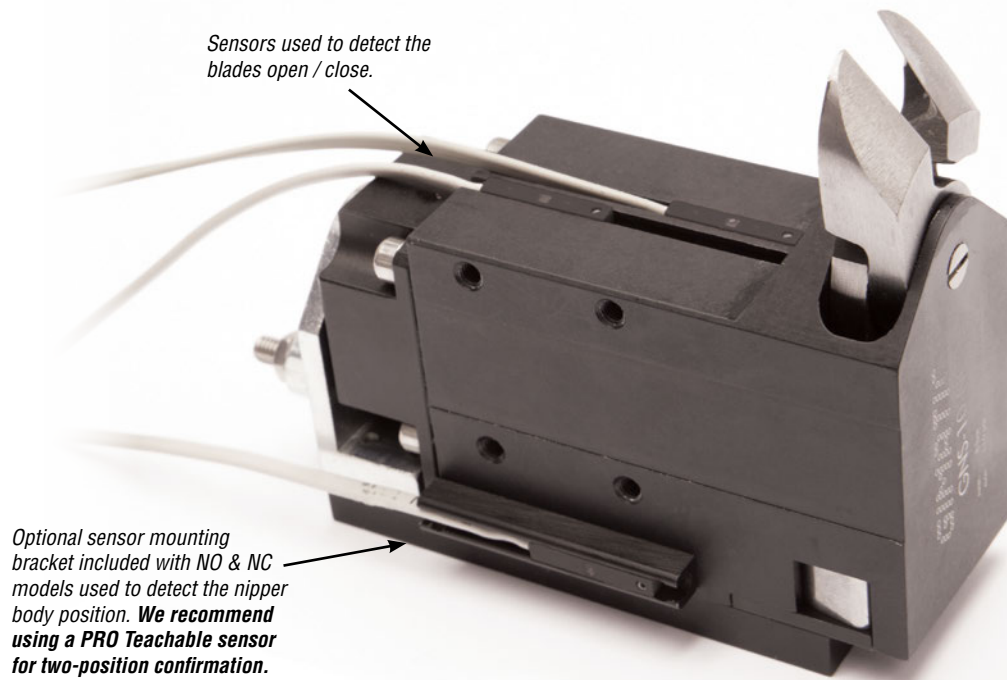
Note: NC version is equipped with a bracket mounted into port "C" which allows extend stroke adjustment.

The extend adjustment bracket make the "C" port unusable. (slide retracts under spring tension only)

#6969 / GNS-20-NO - Sliding Nipper

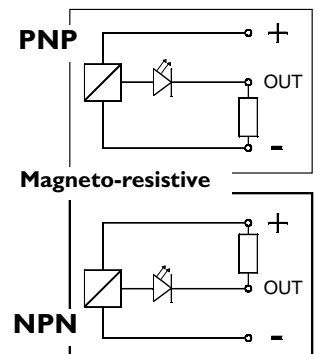


Sensors for Gimatic Nippers



Sensors

The operating position of blade and body can be checked by sensors (optional), that detect the magnet on the piston inside. Proximity near a large mass of ferromagnetic material or intense magnetic fields may cause sensing troubles.

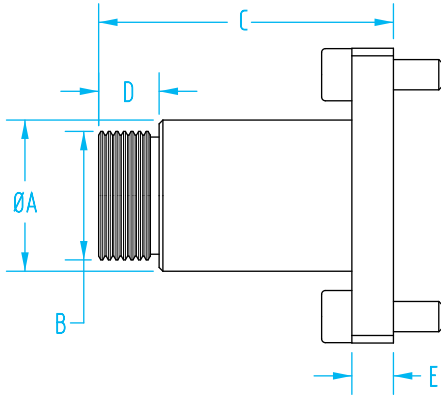


Quick#	Part#	Signal	Connection	Price
3-wire, SS style sensors				
1882	SS4N225G	PNP	2.5m lead	\$27.20
1883	SS4M225G	NPN	2.5m lead	\$27.20
6282	SS3N203G	PNP	0.3m lead & M8 connector*	\$31.16
1884	SS3M203G	NPN	0.3m lead & M8 connector*	\$31.16
90° Lead exit, 3-wire SN style sensors				
6278	SN4N225G	PNP	2.5m lead	\$27.20
6357	SN4M225G	NPN	2.5m lead	\$27.20
6277	SN3N203G	PNP	0.3m lead & M8 connector*	\$31.16
6356	SN3M203G	NPN	0.3m lead & M8 connector*	\$31.16

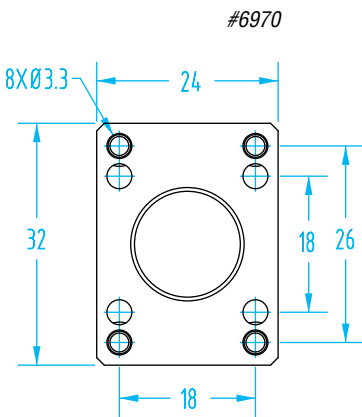
(*) M8 Extension cables Quick#'s 2582 & 2583 available on page 987

See Sensor Reference Guide on page 1009 for full list of compatible sensors.

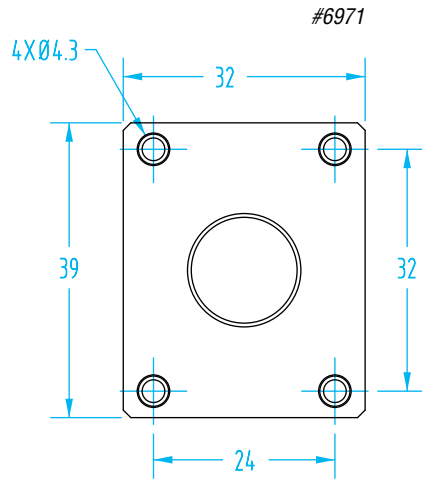
Mounting Brackets for Gimatic Nippers



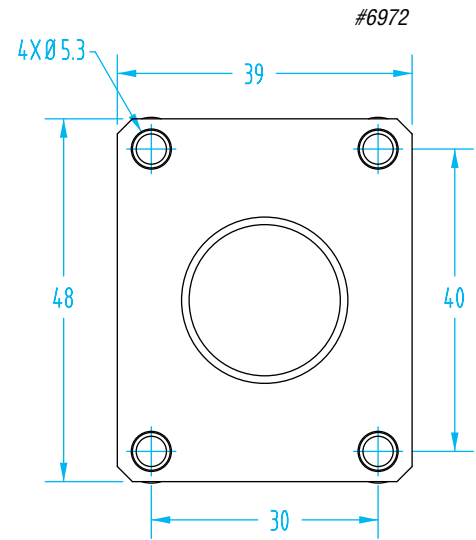
#6971



#6970



#6971



#6972

Quick#	Part#	Price	Nipper Body	ØA	B	C	D	E	Wt.
6970	MFM-A107	\$35.36	size 05	20	M17x1	37	8	4.5	30g
6971	MFM-A108	\$36.40	size 10	20	M17x1	39	8	5.5	35g
6972	MFM-A109	\$37.44	size 20	30	M27x1	55	11	6.5	100g

Made of GRP. Includes fasteners.

Application Examples

